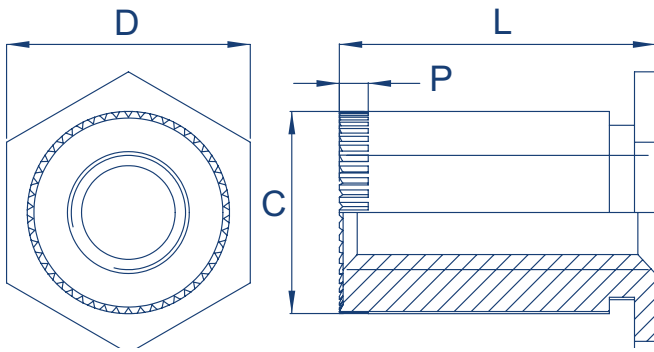


# Grounding Standoffs

TR-SOSG

## Stainless Steel : TR-SOSG



## Metric Dimensions

Thread	M3
C +0.0 -0.13	5.39
D nom	6.4
Min rec sheet thickness	1
Knurling	0.76
Hole size +0.08 -0.00	5.4
Min distance to edge of sheet	6.8

## Metric Performance Data: TR-SOSG

Thread	Type	Length code 'L' mm ±0.13					
		3	4	6	8	10	12
M3	TR-SOSG						

These tests have been conducted in laboratory conditions, these figures should therefore be used for guidance only.

All data is correct to the best of our knowledge, however TR cannot be held responsible for any errors or omissions.